

ORDINANCE NO. 2019-19-O

AN ORDINANCE OF THE CITY COUNCIL OF LINDON CITY, UTAH COUNTY, UTAH, AMENDING THE LINDON CITY DEVELOPMENT MANUAL FOR A NEW LOCAL STREET CROSS-SECTION AND PROVIDING FOR AN EFFECTIVE DATE.

WHEREAS, the City Council is authorized by state law to enact and amend ordinances establishing land use regulations; and

WHEREAS, the proposed amendment is consistent with the goals of the Lindon City General Plan that street classification should be determined by projected traffic volumes, desired operation speeds, projected traffic types, projected construction phasing and location; and

WHEREAS, the proposed amendment is consistent with the goals of the Lindon City General Plan that the City should establish goals to improve the overall design and appearance of roadways within the community and to ensure that circulation facilities are designed and developed in harmony with adjacent land uses (e.g., treescapes along streets, park strips); and

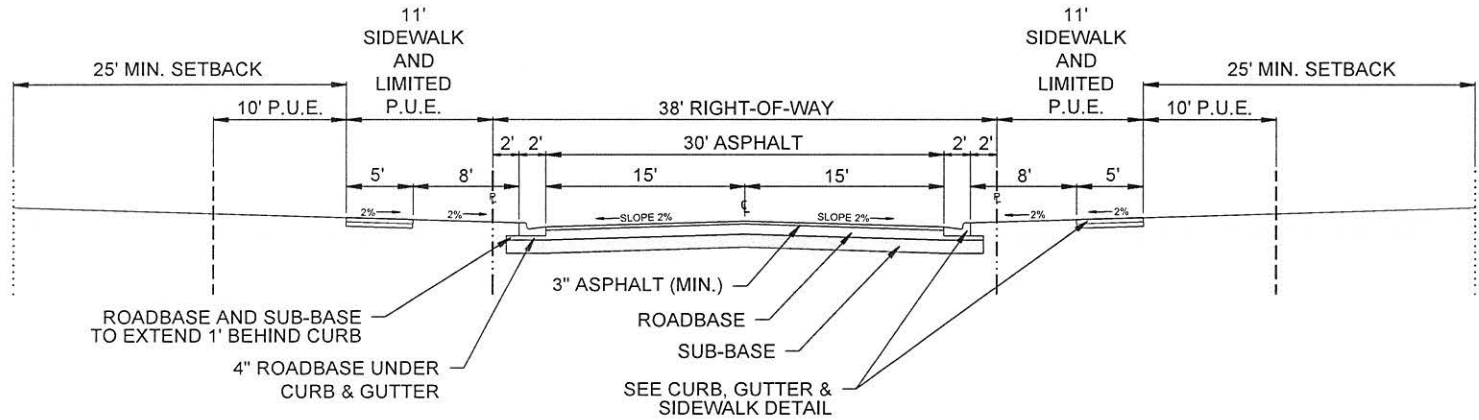
WHEREAS, on October 22, 2019, the Planning Commission held a properly noticed public hearing to hear testimony regarding the ordinance amendment; and

WHEREAS, after the public hearing, the Planning Commission further considered the proposed ordinance and recommended that the Council adopt the attached ordinance;

WHEREAS, the Council held a public hearing on November 19, 2019, to consider the recommendation and the Council received and considered all public comments that were made therein.

NOW, THEREFORE, BE IT ORDAINED by the City Council of the City of Lindon, Utah County, State of Utah, as follows:

**SECTION I:** Amendment. Amend Lindon City Development Manual as follows:



**LOCAL STREET WITH PARKSTRIP - 38' RIGHT-OF-WAY**

**NOTES:**

1. UTILITY LOCATIONS AND NOTES APPLY AS SHOWN ON THE "STANDARD STREET CROSS SECTIONS AND UTILITY LOCATIONS" STANDARD DRAWING (STD DWG #2a).
2. IMPORTED GRANULAR MATERIAL (I.E. SUB-BASE), ROADBASE, AND, WHERE NECESSARY, ASPHALT THICKNESS, WILL BE DETERMINED BY SOILS REPORT / PAVEMENT DESIGN.
3. MINIMUM OF 4" UNTREATED BASE COURSE (ROADBASE) UNDER CURB & GUTTER AND 8" UNDER STREET PAVEMENT UNLESS MORE REQUIRED BY SOILS REPORT / PAVEMENT DESIGN.
4. ROADBASE AND SUB-BASE SHALL EXTEND 1' MIN. BEHIND CURB AND GUTTER DUE TO LACK OF SIDEWALK ADJACENT TO CURB.
5. THE LIMITED P.U.E. ONLY ALLOWS BURIED UTILITY LINES TO CROSS PERPENDICULAR TO THE STREET, AND DOES NOT ALLOW UTILITY LINES OR STRUCTURES THAT RUN PARALLEL TO THE STREET. (USE P.U.E. FOR THOSE RUNNING PARALLEL TO THE STREET.)

**SECTION II:** The provisions of this ordinance and the provisions adopted or incorporated by reference are severable. If any provision of this ordinance is found to be invalid, unlawful, or unconstitutional by a court of competent jurisdiction, the balance of the ordinance shall nevertheless be unaffected and continue in full force and effect.


**SECTION III:** Provisions of other ordinances in conflict with this ordinance and the provisions adopted or incorporated by reference are hereby repealed or amended as provided herein.

**SECTION IV:** This ordinance shall take effect immediately upon its passage and posting as provide by law.

PASSED and ADOPTED and made EFFECTIVE by the City Council of Lindon City, Utah, this 19 day of November, 2019.

  
\_\_\_\_\_  
Jeff Acerson, Mayor

ATTEST:

  
\_\_\_\_\_  
Kathryn A. Moosman,  
Lindon City Recorder



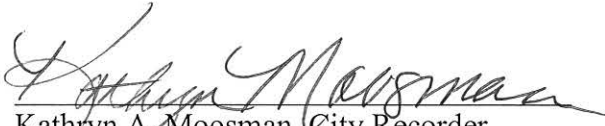
CERTIFICATE OF PASSAGE

STATE OF UTAH            }  
                                  }ss.  
COUNTY OF UTAH        }

I, Kathryn A. Moosman, City Recorder of Lindon City, Utah do hereby certify and declare that the above and foregoing is a true, full, and correct copy of an ordinance passed and adopted by the City Council of Lindon City, Utah on the 19<sup>th</sup> day of November 2019 entitled:

AN ORDINANCE OF THE CITY COUNCIL OF LINDON CITY, UTAH COUNTY, UTAH, AMENDING THE LINDON CITY DEVELOPMENT MANUAL FOR A NEW LOCAL STREET CROSS-SECTION AND PROVIDING FOR AN EFFECTIVE DATE.

IN WITNESS WHEREOF, I have hereunto set my hand and affixed the Corporate Seal of Lindon City, Utah, this 19<sup>th</sup> day of November, 2019.

  
Kathryn A. Moosman, City Recorder



AFFIDAVIT OF POSTING

STATE OF UTAH            }  
  }ss.  
COUNTY OF UTAH        }

I, Kathryn A. Moosman, City Recorder of Lindon City, Utah do hereby certify and declare that I posted the attached ordinance in three public places on the 20<sup>th</sup> day of November, 2019.


The three public places are as follows:

1. Lindon City Police Department
2. Lindon City Community Development Office
3. Lindon City Center

I further certify that the agenda of the meeting of the City Council containing notice of public hearing was published and posted according to law, and that copies of the ordinance so posted were true and correct copies of the original.

  
Kathryn A. Moosman, City Recorder

The foregoing instrument was acknowledged before me this 21<sup>st</sup> day of November, 2019 by Kathryn A. Moosman.

My Commission expires: December 12, 2020   
Notary Public

Residing at: Utah County

